

TECHNICAL DATA

C9000 SERIES

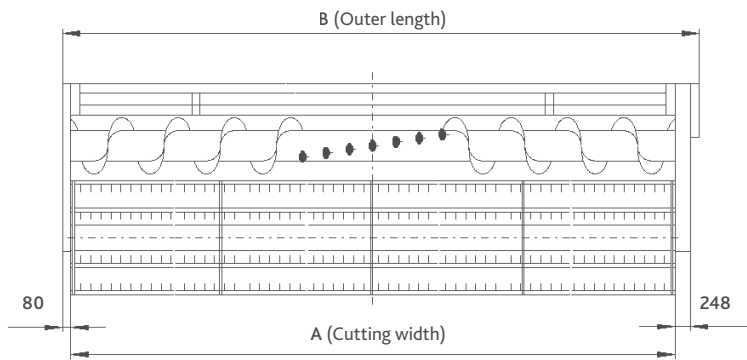
C9205 TS

C9205 TSB

C9206 TS

C9206 TSB

HEADER		C9205 TS	C9205 TSB	C9206 TS	C9206 TSB
Width option	m	4.80 - 5.40 - 6.30 - 7.20 - 9.00		5.40 - 6.30 - 7.20 - 9.00	
Hydraulic cutting height adjustment	m m	from -300 to +1370			
Cutting height indicator		•			
Oil-immersed planetary knife drive gearbox (1220 cuts/min.)		•			
Long right and left crop dividers, fixed		•			
No. of crop lifters		15 to 29, depending on cutting width			
"Automatic adjustment of ground pressure, pre-selection of cutting height with height indicator"		•			
AutoControl (with lateral floating)		○	•	○	•
Adjustment of the cutting angle (electrohydraulic)		○	•	○	•
Trailer tow hitch		•			
Header transport trolley		○			
Hydraulic multicoupler		•			
Automatic towing hitch		○			
Rapeseed header conversion kit with hydraulic controlled side cutter on right		○			
Side cutter for rapeseed on left with separate hydraulic control (only with rapeseed header)		○			
Sunflower header conversion kit		○			

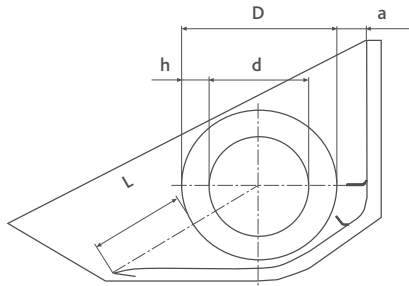


CEREAL HEADERS

Type	A (mm)	B (mm)	Weight (Kg)	Cereal headers in mm
4.20 m	4187	4515	1170	L = 480
4.80 m	4796	5124	1280	D = 610
5.40 m	5406	5734	1540	d = 350
6.30 m	6320	6648	1760	h = 130
7.20 m	7235	7563	1980	a = 130
9.00 m	9000	9622	2580	

VARICROP HEADERS

Type	A (mm)	B (mm)	Gewicht (kg)	Varicrop header in mm
5.00 m	5050	5680	2190	L = 510-1560
5.50 m	5510	6140	2280	D = 610
6.50 m	6500	7130	2500	d = 410
7.50 m	7500	8120	2710	h = 100
8.50 m	8500	9110	2960	a = 50
9.00 m	9000	9640	3080	



C9205 TS

C9205 TSB

C9206 TS

C9206 TSB

PICK-UP REEL		C9205 TS	C9205 TSB	C9206 TS	C9206 TSB
6-bar reel with hydraulic height adjustment		•			
Hydraulic horizontal adjustment		•			
Electrical speed control	rpm	16 to 45, infinitely variable			
Automatic adjustment of reel rpm to travel speed		•			

TECHNICAL DATA		C9000 SERIES			
		C9205 TS	C9205 TSB	C9206 TS	C9206 TSB
VARICROP					
Width option	m	5.00 - 5.50 - 6.50 - 7.50		5.50 - 6.50 - 7.50 - 8.50 - 9.00	
Hydraulic cutting height adjustment	mm	-300 / +1370		-300 / +1370	
Long right and left crop dividers, fixed		●		●	
Crop lifters (N° depending on cutting width)		○		○	
AutoControl (with lateral floating)		●		●	
700 mm stepless hydraulically movable cutterbar with stainless steel cover		●		●	
Hydraulic angle adjustment		○		○	
Integrated foldable side knives		●		●	
Integrated hydraulic reel drive inside the reel tube		●		●	
Sunflower header conversion kit		○		○	
TRESHING DRUM					
Diameter	mm			600	
Width	mm	1270		1521	
Bars	n°			8	
Electrical variator	rpm			420 – 1250	
Threshing drum speed reducer (optional)	rpm			210 – 625	
CONCAVE					
Bars	n°			15	
Wrap angle	degrees			121	
Separation surfaces	m ²	0.95		1.13	
Multi-segment concave				○	
Laterally operated de-awner plates				●	
Electrical adjustment of concave inlet/outlet				●	
Conversion for maize harvesting, grain or CCM				○	
Conversion for rice harvesting				○	
TURBO SEPARATOR					
Diameter	mm			590	
Rotation speed	rpm			775-410	
Electrical adjustment from cab through 5 positions				●	
Separation surfaces	m ²	0.81		0.97	
Wear plates for heavy duty applications				○ (● with rice-harvesting equipment package)	
STRAW WALKER					
Elements	n°	5		6	
Steps	n°			4	
Straw walkers open				●	
Ball bearing mounts				●	
Straw walker surface area	m ²	5.60		6.70	
Total separation surface	m ²	7.36		8.80	
Walker return surface				●	
Electronic straw walker speed control				●	
STRAW CHOPPER - CHAFF SPREADER					
Built-in straw chopper with manually adjustable spread width				○	
Electrical spreading width adjustment				○	
Chaff spreader with conveyor integrated in the sieves				○	

- Standard
- Optional
- Not Available

TECHNICAL DATA	C9000 SERIES			
	C9205 TS	C9205 TSB	C9206 TS	C9206 TSB
CLEANING SYSTEM				
High performance crossflow fan			•	
Pre-sieve			•	
Sieve box illumination			•	
Opposed action sieves			•	
Total ventilated sieve area	m ²	5.28		6.32
TAILING RETURN SYSTEM				
Electronic control of returns level and overload			•	
Independent L/R returns with re-threshing system			•	
GRAIN TANK				
Lifting / Capacity	litres		9500	
Discharge in any position			•	
Visual and audible grain tank level indicator			•	
Interior light / Grain sampling from driving position			•	
Extra long 6 m discharge pipe			•	
Discharge speed			90 lt/sec.	
ENGINE				
Tier 4 Final 4 valve Common Rail engine		Mercedes Benz 6R1000 7.7 LITRES		Mercedes Benz 6R1000 7.7 LITRES
Homologated power (97/68/EC) at rated engine speed	kW/HP	260/354		267/363
Maximum power (ECE R 120)	kW/HP	260/354		290/395 (*)
Fuel tank	litres		750	
AdBlue® tank	litres		85	
TRANSMISSION / BRAKES / STEERING				
Hydrostatic transmission with 4-speed gearbox			•	
Forward speed / Reverse speed	Km/h		0-30.0 / 0-14.0	
Pedal operated hydraulic brake, usable as independent brake, mechanical parking brake			•	
"BALANCE" LEVELLING SYSTEM				
Complete levelling of the combine		-	•	-
Compensation for transverse/longitudinal slopes		-	20% / 6 %	-

• Standard

◦ Optional

- Not Available

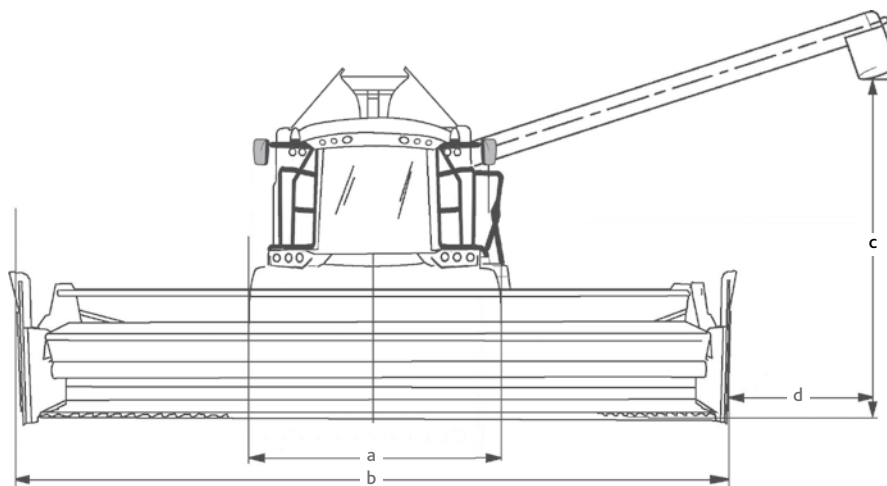
(*) Boost power (incremental power) is available during simultaneous harvesting and unloading

TECHNICAL DATA	C9000 SERIES			
	C9205 TS	C9205 TSB	C9206 TS	C9206 TSB
TYRES				
Front 620 / 75 R30 168 A8	○	-	-	-
Front 650 / 75 R32 167 A8	●	●	●	●
Rear 405 / 70 R20 155 A2	●	●	●	●
Front 800 / 65 R32 STR 172 A8	○	○	○	○
Rear 500 / 60 -22.5 10 PR	○	○	○	○
Front 710/75 R34 178 A8	○	-	○	-
Rear 600/50 R22.5 165 A8	○	○	○	○
Rear 540/65 R24 146 D	○	○	○	○
Rubber track with 4 rollers undercarriage and 915 mm track	○	-	○	-
Rubber track with 4 rollers undercarriage and 716 mm track	○	-	○	-
CAB				
CommanderCab V with tinted, thermally insulated glass providing panoramic visibility, comfort driving seat with armrest, passenger seat			●	
CommanderStick with multiple control functions			●	
CommanderControl for electrical control of operation of cutter bar, threshing system, concave, TS, grain tank unloading and threshing system parameter setting			●	
CCM (Combine Control Management) with 7" touch screen monitor			●	
10 work lights on cab, 1 work light on grain tank, 2 rear work lights, 3 beacons			●	
Electric mirrors, left and right			●	
Work Visibility pack: work lights on sides, under-cab and on handrail			○	
Maintenance visibility pack (4 on side of the combine, 1 in the engine compartment)			○	
Camera kits: 3 cameras (rear, emptying pipe and tow hitch) IR and colour 7" monitor			○	
Heater and air conditioning			●	
Removable 21 l capacity fridge			●	
Fire extinguisher			○	
SAFETY DEVICES				
Safety clutch for feed passage top shaft, feed auger, reel, straw walker drive and grain auger			●	
Electronic speed control for straw walker, grain elevator and tailings return			●	
Cutter bar emergency stop			●	
2 xenon work lights			●	
MAINTENANCE				
Manual centralised lubrication system, greasing points: 8 on left, 6 on right			●	
Automatic centralised greasing system with approx. 60 lubrication points			○	
Compressed air system: 30 litre capacity, total of 3 outlets (2 on sides, 1 in engine compartment)			○	

- Standard
- Optional
- Not Available

TECHNICAL DATA**C9000 SERIES****C9205 TS****C9205 TSB****C9206 TS****C9206 TSB****DIMENSIONS**

a) Track width	front	mm	2630	
	rear	mm	2393	
Width without cutter bar			3296	
b) Width with cutter bar	with 4.80 m cutter bar	mm	5124	-
	with 5.00 m cutter bar	mm	5680	-
	with 5.40 m cutter bar	mm		5734
	with 5.50 m cutter bar	mm		6140
	with 6.30 m cutter bar	mm		6648
	with 6.50 m cutter bar	mm		7130
	with 7.20 m cutter bar	mm		7563
	with 7.50 m cutter bar	mm		8120
	with 8.50 m cutter bar	mm		9110
with 9.00 m cutter bar		mm		9622
c) Height to lower edge of grain tank discharge pipe with standard tyres		mm	4557	
d) Distance between side wall of cutter bar and grain discharge pipe	with 4.80 m cutter bar	mm	3410	-
	with 5.00 m cutter bar	mm	3226	-
	with 5.40 m cutter bar	mm		3105
	with 5.50 m cutter bar	mm		2996
	with 6.30 m cutter bar	mm		2648
	with 6.50 m cutter bar	mm		2500
	with 7.20 m cutter bar	mm		2191
	with 7.50 m cutter bar	mm		2006
	with 8.50 m cutter bar	mm		1511
with 9.00 m cutter bar		mm		1246



TECHNICAL DATA

C9000 SERIES

		C9205 TS	C9205 TSB	C9206 TS	C9206 TSB
DIMENSIONS					
e) Wheelbase	mm	3890	3860	3890	3860
f) Length without cutter bar	mm			9240	
g) Length with cutter bar- crop dividers folded in (mm)	mm			10890	
h) Grain tank height	mm			3990	
WEIGHTS					
without header	kg	15690	16190	16390	16990
with 4.80 m cutter bar	kg	17210	17710	17910	18510
with 5.00 m cutter bar	kg	17880	18380	18580	19180
with 5.40 m cutter bar	kg	17330	17830	18030	18630
with 5.50 m cutter bar	kg	17970	18470	18670	19270
with 6.30 m cutter bar	kg	17570	18070	18270	18870
with 6.50 m cutter bar	kg	18190	18690	18890	19490
with 7.20 m cutter bar	kg	17770	18270	18470	19070
with 7.50 m cutter bar	kg	18400	18900	19100	19700
with 8.50 m cutter bar	kg	18650	19150	19350	19950
with 9.00 m cutter bar	kg	18350	18850	19050	19650
with 9.00 m cutter bar (VARICROP)	kg	18770	19270	19470	20070

